

# Revolution™ 150 process

## On-site NHIW dewatering and material recovery

### The IDEAL™ offer for on-site NHIW

- Separation of contents/components for recovery of materials for recycling
- Weight and volume reduction
- Easy disassembly for washing
- Reduction of storage space
- Reduced space requirement (< 3 m3)
- Easy to use by operators

### Principle

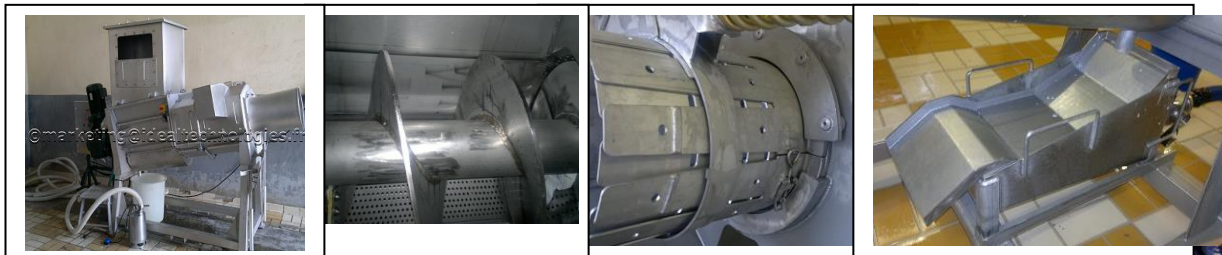
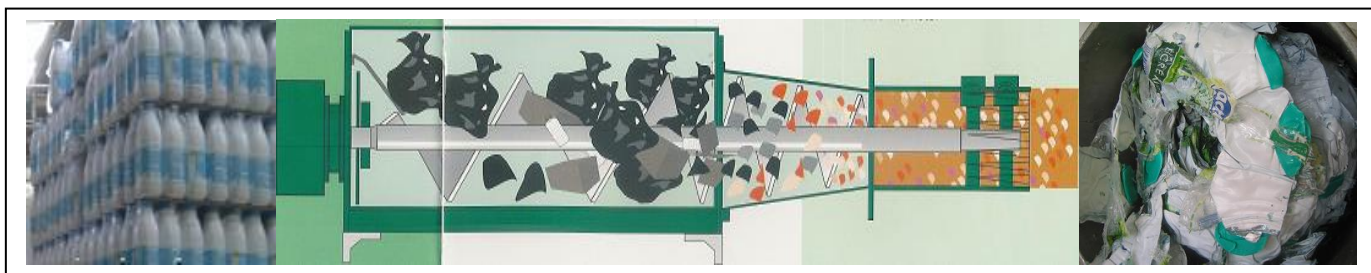
- Type of waste : NHIW in line waste
- Compaction ratio: 5:1
- Liquid extraction: > 90%
- Guaranteed destruction of materials
- Throughput: 4 M3/hour
- Rinsing by an automatic CIP cycle

+ 150 Machines installed

revolution™ 150



### Emptying and Dewatering of waste on production line



# IDEAL On-site waste management

## A tool that can be installed near your production site or in your production line

**IDEAL**  
Technologies

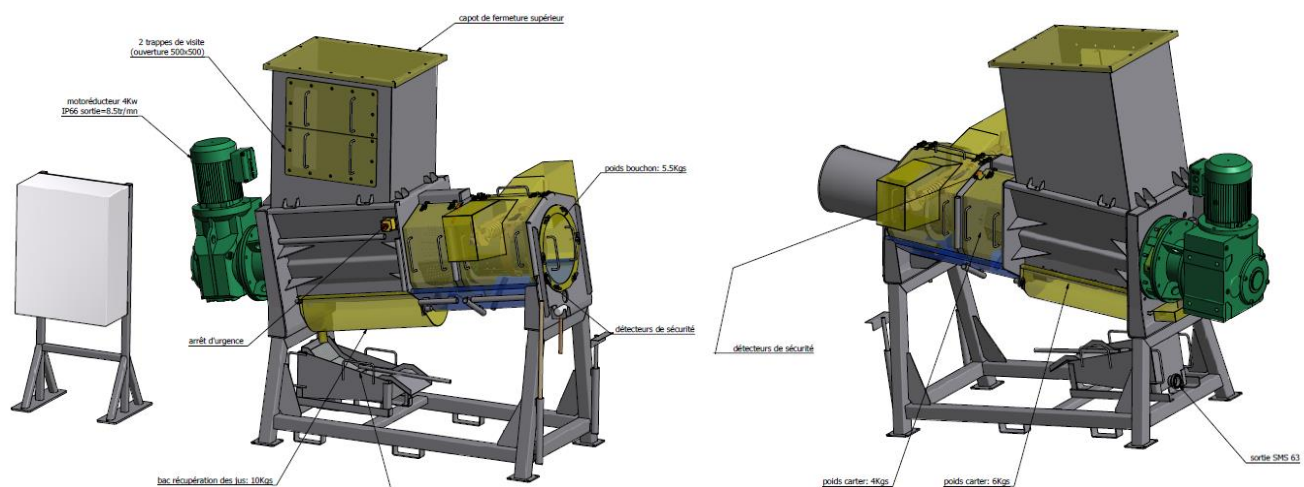
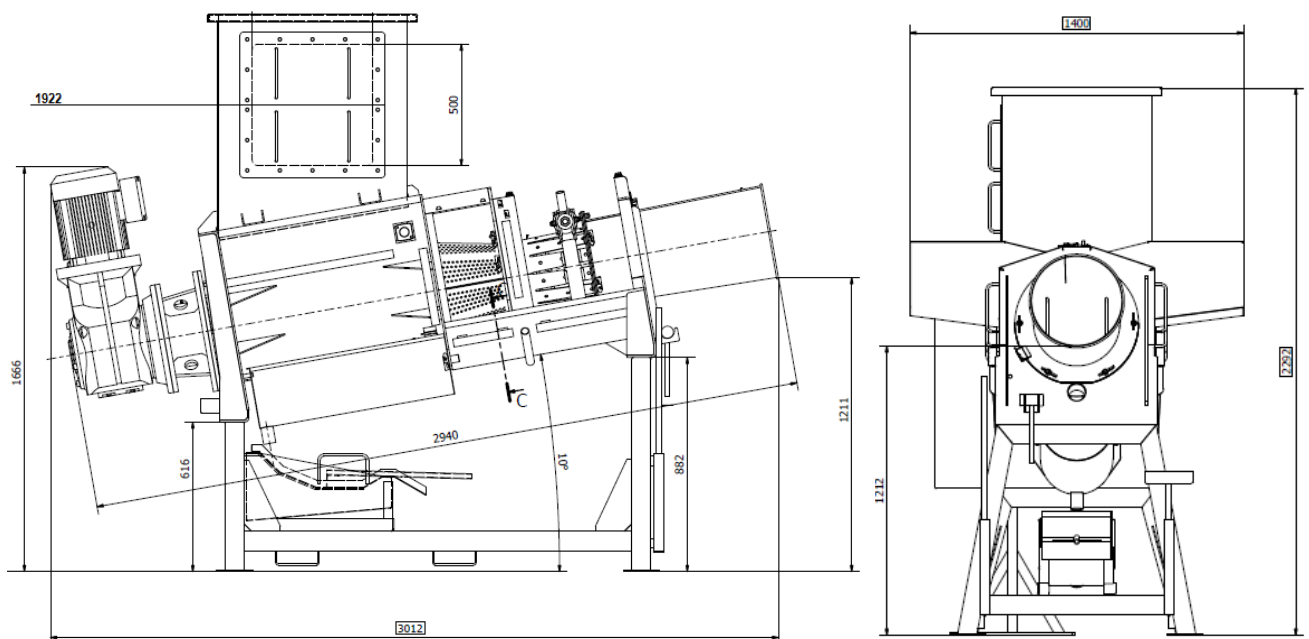
Reducing the waste stream,  
an imperative for manufacturers:

- Recovering contents
- Recycling packaging

The solution : revolution™ 150



*Reduced footprint and Easy integration on site*



For more information: [www.idealtechnologies.fr](http://www.idealtechnologies.fr)

**IDEAL Technologies SARL**  
Eric DURIVAULT

Phone: + 33 (0) 6 22 45 33 70  
e-mail : [eric.durivault@idealtechnologies.fr](mailto:eric.durivault@idealtechnologies.fr)

**IDEAL Technologies**